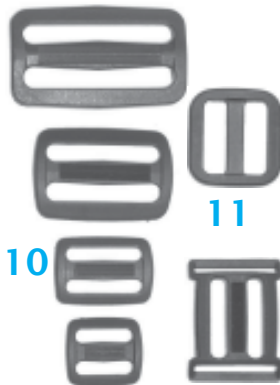
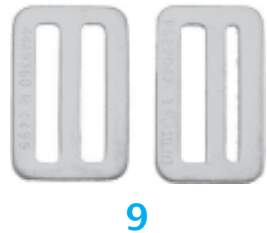
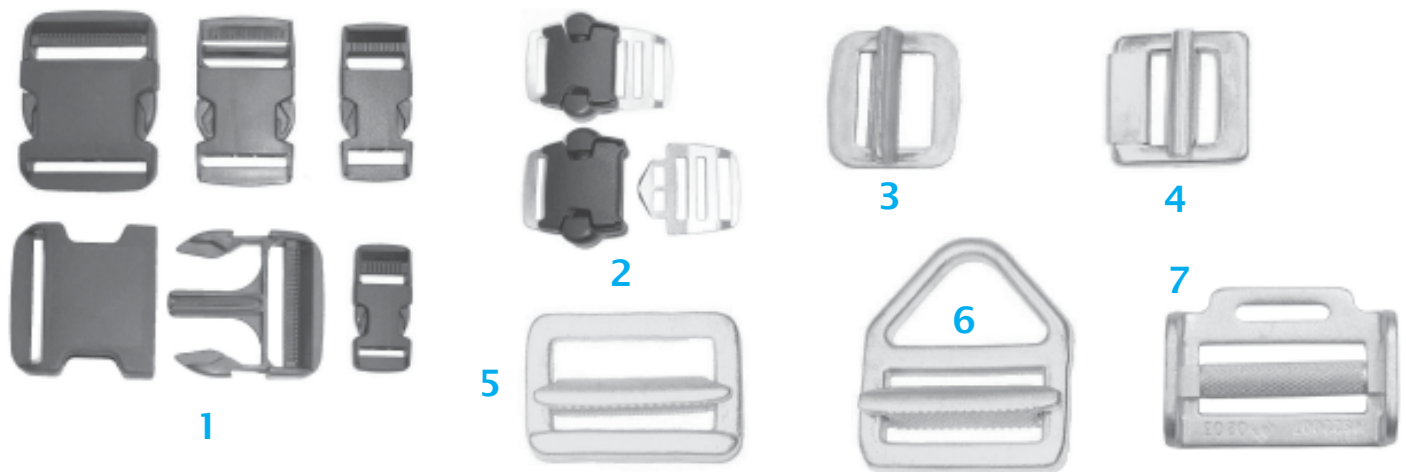
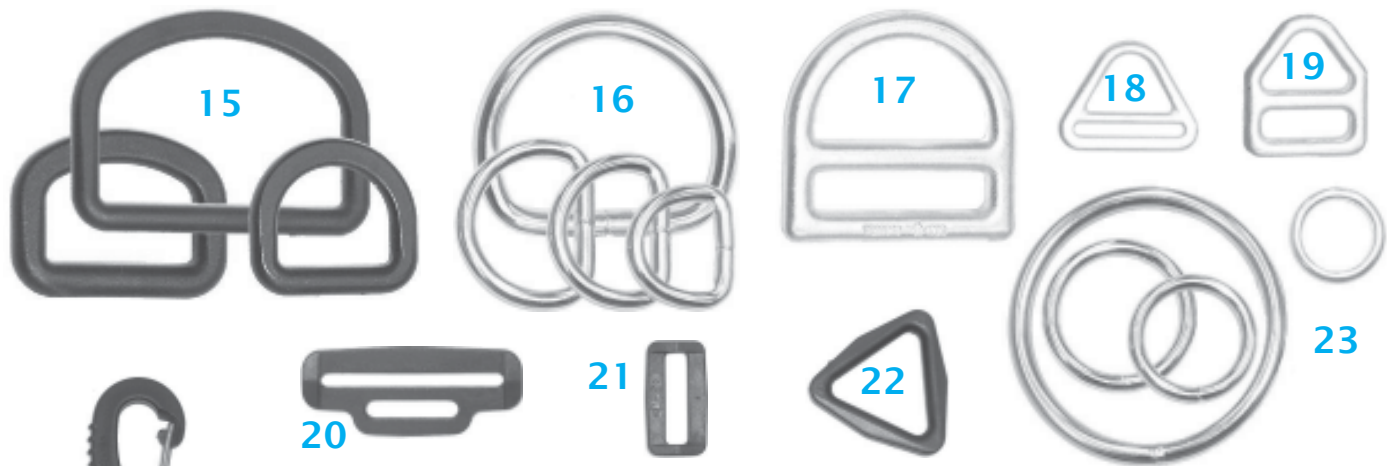


Buckles



Picture	Description	Item #	Webbing Width	Price
1	Plastic side release buckle. The workhorse of lightweight buckles, this nylon buckle is much stronger and longer wearing than the typical plastic ones found. Used on packs, belts and lightweight hold-down straps.	D5179-5180	3/4"	\$0.50
		D5129-5130	1"	\$0.75
		D5295-5296	1-1/2"	\$1.00
		D5436-5434	2"	\$1.50
2	Tested to 500lbs, this buckle is ideal when maximum strength is required.	D7333	1"	\$4.00
3	All metal cinch buckle. Use with heavier and stiff webbing.	DJ101	1"	\$2.00
		BF1257-1	1-3/4"	\$2.00
4	A heavy duty cinch buckle. Tested to twice the 1" cinch buckle above	101H	1"	\$5.00
5	Used when maximum strength is required, The BF1236 is used with thin or soft webbing, the BF1203 for thick or stiff webbing.	BF1236	1-3/4"	\$6.25
		BF1203-2	1-3/4"	\$5.50
6	A strong, adjustable buckle with a carabiner hole. The BF1219A (not shown) has a spring loaded buckle bar to ensure constant tension.	BF1219A	1-3/4"	\$6.00
		BF1219B	1-3/4"	\$6.00
7	Features a 1" webbing slot on one side and a wider slot on the other. The BF1256 is drop forged, the chromed DJ1400 is stamped steel.	BF1256	1-3/4"	\$3.45
		DJ1400	2"	\$5.00
8	Inexpensive metal buckles. Sold in matched pairs. The PC9052-9072 and PC9056-9075 are for thin and soft webbing, the PC9058-9072 for thick or stiff webbing.	PC9052-9072	1-3/4"	\$1.00
		PC9058-9072	1-3/4"	\$1.00
9	Metal Slider. The BF1245 has two 5/16" slots, the BF1238 has one 5/16" and one 3/16" slot.	BF1245	1-3/4"	\$4.00
		BF1238	1-3/4"	\$2.00
10	Plastic Sliders. Used to keep the loose ends of webbing straps in place, limit the travel of adjustable buckles, or as a lightweight, non-load bearing buckle.	D4675	3/4"	\$0.15
		D4676	1"	\$0.15
		D5058	1-1/2"	\$0.25
		NWP175	1-3/4"	\$0.20
		D5039	2"	\$0.35
11	A wide mouth plastic slider. Allows doubled webbing to pass through.	D4813	1"	\$0.20
12	A 1" slider with 1" ears. Used to cross webbing with adjustability.	D5971	1"	\$0.30
13	Metal sliders. When a little more holding strength is required, these fit the bill. The 1035 is a heavy duty version.	DJ754-1	1"	\$1.50
		1035	1"	\$4.00
		DJ754-2	2"	\$3.00
14	Ladder lock buckle. A low profile keeps this buckle from catching, yet releases quickly when needed. Used for flaps on small packs and other places that require a lightweight buckle that will hold on thin pack strap.	D5319	3/4"	\$0.20
		D5338	1"	\$0.35
		D5852	1-1/2"	\$0.45

Buckles



Picture	Description	Item #	Webbing Width	Price
15	Nylon D-rings provide places to clip gear, straps and other items, yet keep the weight down to a minimum. The 3/4" & 1" D-rings are heavy duty, the 1-1/2" is ultra-lightweight.	D5365	3/4"	\$0.15
		D5354	1" Heavy	\$0.20
		D4275	1-1/2"	\$0.30
16	Metal D-rings - when plastic is not enough. These rings provide the extra strength needed for shoulder straps on packs, hooking heavy gear, or any other function that needs to be able to take some abuse.	DJ3250-075	3/4"	\$0.40
		DJ3250-088	7/8"	\$0.50
		DJ3250-100	1"	\$0.60
		DJ3250-200	1-1/2"	\$0.80
17	Metal Bar-D. Used as a sewn clip-in point, this buckle can be used in life-supporting harnesses or as tie-ins for loading straps. The gold colored PC3840 is an inexpensive version of the cadmium plated BF1202. The BF1229 is slightly bent in the large "D" area.	PC3840	1-3/4"	\$2.25
		BF1202	1-3/4"	\$3.75
		BF1229	1-3/4"	\$4.00
18	A metal bar-triangle. Lighter in weight than the "D" and more compact.	BF1208	1-3/4"	\$4.00
19	Metal Bar-V. The "V" shape provides a more directional pull.	BF2033	1"	\$3.00
20	A nylon reducer. Allows 1" webbing to be connected to 2" easily.	JE2267	1"-2"	\$0.50
21	Nylon common loop. Pass pack strap through here and back to the buckle. The D5305 is a heavy duty version.	D5358	1"	\$0.15
		D5305	1"	\$0.20
22	A nylon delta (triangle). Accessory cord works great with this pack loop.	D4999	1"	\$0.30
23	Metal O-rings. These classic rings can be sewn on with pack strap or used with accessory cord in a variety of functions. The DJ447 is a solid ring capable of supporting 250lbs, the others are lightweight welded rings.	DJ447-F	3/4" ID	\$5.00
		DJ-4Gauge	1-1/4" ID	\$0.75
		DJ-3Gauge	1-1/2" ID	\$1.00
		DJ-0Gauge	3" ID	\$3.00
24	Nylon snap hooks with a swivel. Lightweight yet strong - great for small packs!	D7854	1"	\$0.75
		D6726	1-1/2"	\$1.00
25	An all metal, swiveling snap hook. The best one for shoulder straps.	MS251-0150	1-1/2"	\$1.65
26	Pole Strap Snap Hook. A heavy duty, self-locking snap hook.	PC5064	1-3/4"	\$14.00
27	Self-locking snap hook. Used with lightweight cargo nets.	PC9652	1" ID	\$6.00
28	Nylon quick slip keeper. Tuck that loose piece of webbing out of the way.	D5139	1"	\$0.15
		D5320	2"	\$0.25
29	Keep that bag cinched tight with a barrel lock. Accepts two 3/16" cords.	D7916	2 x 3/16" cords	\$0.20
30	A zip clip and a short piece of accessory cord make zippers easier to use.	D5938-5939	3/16"	\$0.15
31	Posi-grip bungee cord hook. Securely holds the end of a 1/4" bungee cord.	D6944	1/4"	\$1.25
32	Small steel swivel pulley. Used with the double-bungee climbing system.	N243-576	1/4"	\$4.00